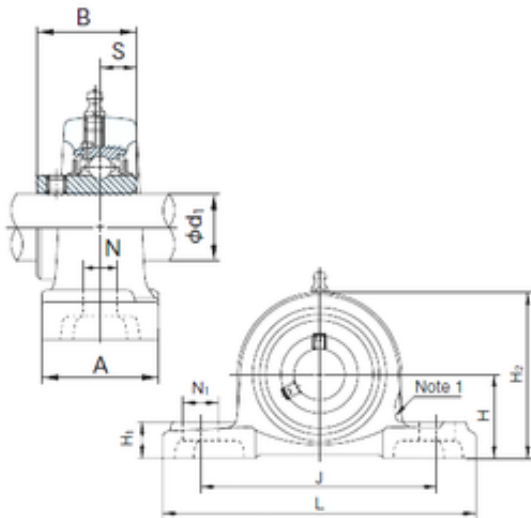




## China 6205 2rs Bearing Supplier



UCP203 Bearing 2D drawings and 3D CAD models

Chrome Steel High Quality Pillow Block Bearing  
 NTN/NSK/SKF/Timken/NACHI/Fyh Pillow  
 Block Bearings UCP203 204 205

Bearing No. UCP203

|                      |          |
|----------------------|----------|
| Bore Diameter        | 17 mm    |
| Width                | 31 mm    |
| d                    | 17 mm    |
| A                    | 38 mm    |
| B                    | 31 mm    |
| H                    | 30.2 mm  |
| H1                   | 15 mm    |
| H2                   | 62 mm    |
| J                    | 95 mm    |
| L                    | 127 mm   |
| N                    | 13 mm    |
| N1                   | 19 mm    |
| S                    | 12.7 mm  |
| Bolt (G)             | M10      |
| Category             | Bearings |
| Inventory            | 0.0      |
| Manufacturer Name    | NACHI    |
| Minimum Buy Quantity | N/A      |
| Weight / Kilogram    | 0        |
| Product Group        | M06110   |