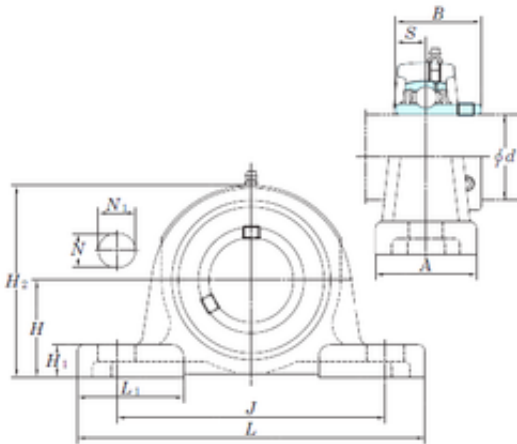




## China 6205 2rs Bearing Supplier



UCP201-8 Bearing 2D drawings and 3D CAD models

SKF Snr NTN NSK Koyo Pillow Block Bearing  
 UCP201-8 UCP202-9 UCP202-10 UCP203-11  
 UCP201 UCP202 UCP203 UCP204-12 UCP204  
 UCP205-13 UCP205-14 UCP205-15 UCP205-16

Bearing No. UCP201-8

|                               |         |
|-------------------------------|---------|
| Bore Diameter                 | 12,7 mm |
| Width                         | 31 mm   |
| d                             | 12,7 mm |
| A                             | 38 mm   |
| B                             | 31 mm   |
| H                             | 30,2 mm |
| H1                            | 12 mm   |
| H2                            | 60 mm   |
| J                             | 95 mm   |
| L                             | 127 mm  |
| L1                            | 38 mm   |
| N                             | 13 mm   |
| N1                            | 18 mm   |
| S                             | 12,7 mm |
| Bolt (G)                      | M10     |
| Weight                        | 0,63 Kg |
| Basic dynamic load rating (C) | 12,8 kN |
| Basic static load rating (C0) | 6,65 kN |